

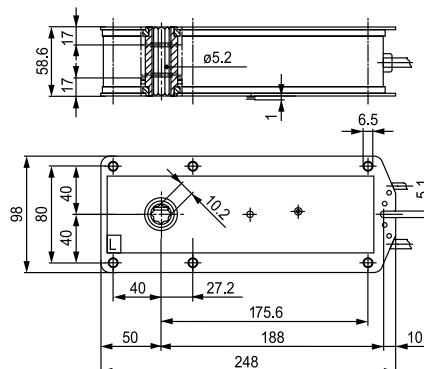
- For control of Fire and Smoke Dampers in HVAC systems
- Torque motor: 11Nm/8.5Nm
- Nominal voltage: AC/DC 24V
- Control: Open/Close
- Manual override function



Technical data

Electrical data	Nominal voltage		AC 24V 50/60Hz, DC 24V	
	Nominal voltage range		AC 19.2...28.8V / DC 21.6...28.8V	
	Power consumption		7.5W @ running / 2W @ holding	
	For transformer sizing		10VA (I _{max} 8.3A @ 5ms)	
	Auxiliary switch		2 SPDT, 1mA...6(3)A, DC 5V...AC 250V □	
	-Switching points		25°◁, 145°◁ (angles of rotation of damper: 5°◁, 80°◁)	
	Connection		-Motor -Auxiliary Switch	
			1m, 2 x 0.75mm ² (halogen-free) 1m, 6 x 0.75mm ² (halogen-free) (...-ST with plug connectors, suitable for BKN230-24)	
	Functional data	Torque		-Motor 11Nm @ nominal voltage -Spring Return 8.5Nm
		Thermal trip		BFG24-T: Tf1: duct outside temperature 72°C BAE72B-S: Tf2/Tf3: duct inside temperature 72°C *(Art. Nr. ZBAE72)
Direction of rotation		Selectable by L/R installation		
Angle of rotation		Max. 180°		
Running time		-Motor 120s -Spring Return ~20s (@ t _{amb} =20°C)		
Sound power level		Motor max. 45dB(A) / spring return 63dB(A)		
Position indication		Mechanical with pointer		
Service life		>50,000 cycles		
Safety		Protection class		III (safety extra-low voltage)
		Degree of protection		IP54
	EMC		CE according to 2004/108/EC	
	Mode of operation		Type 1.AA.B	
	Ambient temperature		-Normal Duty -30...+50°C -Safety Duty Safe position will be attained up to max. 75°C when triggered by a thermal trip	
	Storage temperature		-40...+50°C (-40...+80°C without thermal trip)	
	Humidity test		95% RH, non-condensing	
	Maintenance		Maintenance-free	
	Dimensions / weight	Dimensions (L x M x H)		248 x 98 x 58.6mm
		Shaft diameter		Form-fit 10 x 10mm
Weight		BFG24 Approx. 2.7kg BFG24-T(-T-ST) Approx. 2.8kg		

Dimensions [mm]



Fire and Smoke Spring Return Actuator BFG230(-T)



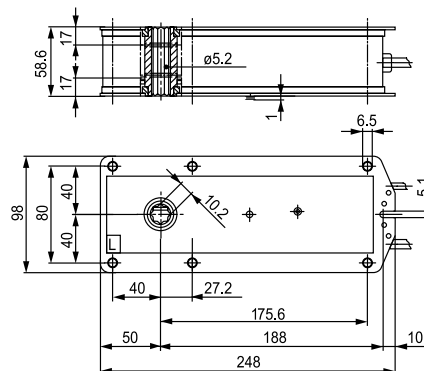
- For control of Fire and Smoke Dampers in HVAC systems
- Torque: 11Nm/8.5Nm
- Nominal voltage: AC 230V
- Control: Open/Close
- Manual override function



Technical data

Electrical data	Nominal voltage	AC 230V 50/60Hz		
	Nominal voltage range	AC 198...264V		
	Power consumption	9.5W @ running / 3.5W @ holding		
	For transformer sizing	711VA (Imax 0.5mA @ 5ms)		
	Auxiliary switch	2 SPDT, 1mA...6(3)A, DC 5V...AC 250V <input type="checkbox"/>		
	-Switching points	25°↔, 145°↔ (angles of rotation of damper: 5°↔, 80°↔)		
Functional data	Connection	-Motor -Auxiliary Switch		
			1m, 2 x 0.75mm ² (halogen-free) 1m, 6 x 0.75mm ² (halogen-free)	
	Torque	-Motor -Spring Return	11Nm @ nominal voltage 8.5Nm	
	Thermal trip	BFG230-T: BAE72B-S	Tf1: duct outside temperature 72°C Tf2/Tf3: duct inside temperature 72°C *(Art. Nr. ZBAE72)	
	Direction of rotation		Selectable by L/R installation	
	Angle of rotation		Max. 180°	
	Running time	-Motor -Spring Return	120s ~20s (@ tamb=20°C)	
	Sound power level		Motor max. 45dB(A) / spring return 63dB(A)	
	Position indication		Mechanical with pointer	
	Service life		>50,000 cycles	
	Safety	Protection class		II (Totally insulated) <input type="checkbox"/>
		Degree of protection		IP54
EMC			CE according to 2004/108/EC	
Mode of operation			Type 1.AA.B	
Ambient temperature		-Normal Duty -Safety Duty	-30...+50°C Safe position will be attained up to max. 75°C when triggered by a thermal trip	
Storage temperature			-40...+50°C (-40...+80°C without thermal trip)	
Humidity test			95% RH, non-condensing	
Maintenance			Maintenance-free	
Dimensions / weight		Dimensions (L x M x H)		248 x 98 x 58.6mm
		Shaft diameter		Form-fit 10 x 10mm
	Weight	BFG230 BFG230-T	Approx. 3.1kg Approx. 3.2kg	

Dimensions [mm]



Wiring diagram: B..F.. series Fail-Safe Open/Close Actuators

Notes:

- Parallel connection of several actuators is possible.
- Power consumption must be observed.

